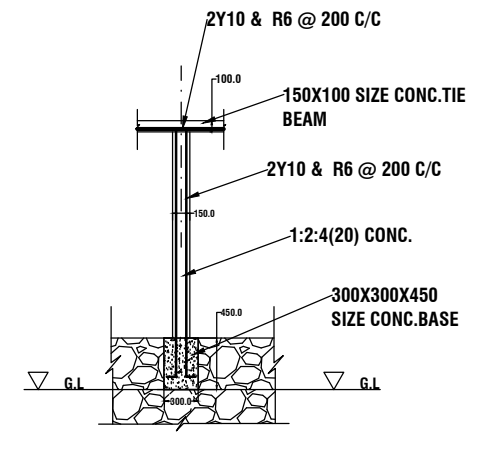
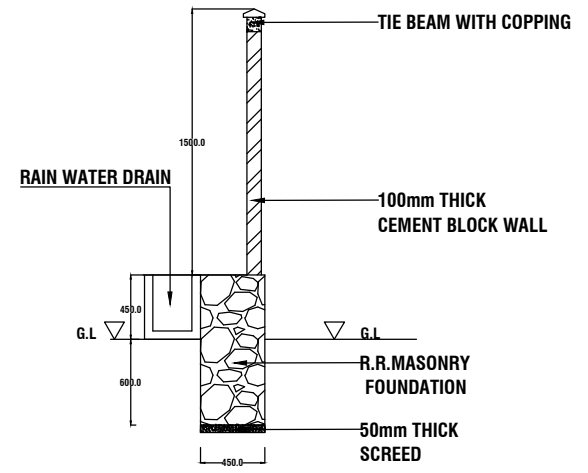
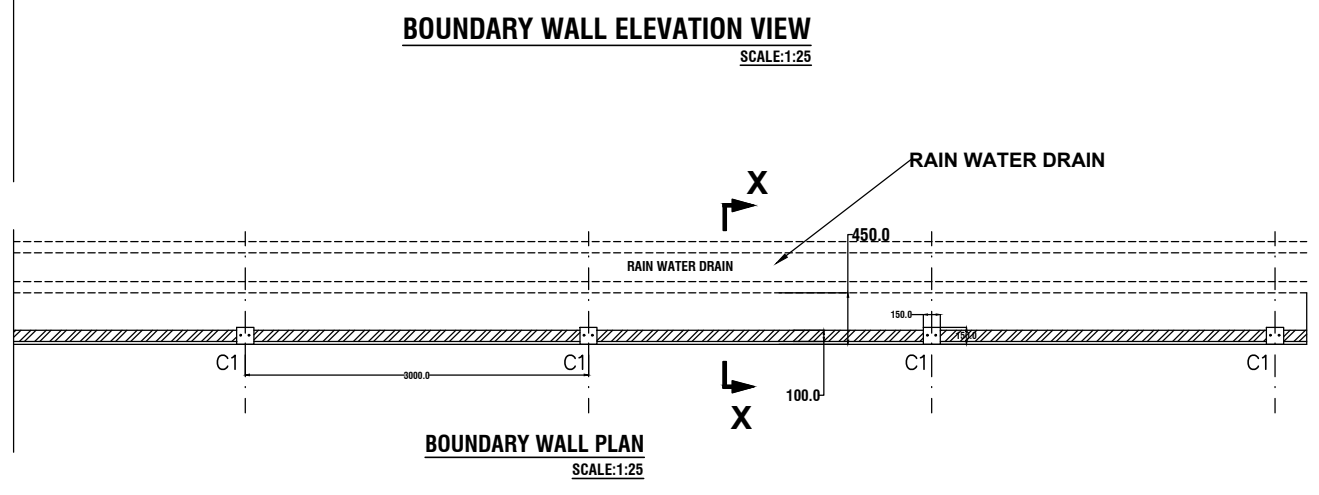
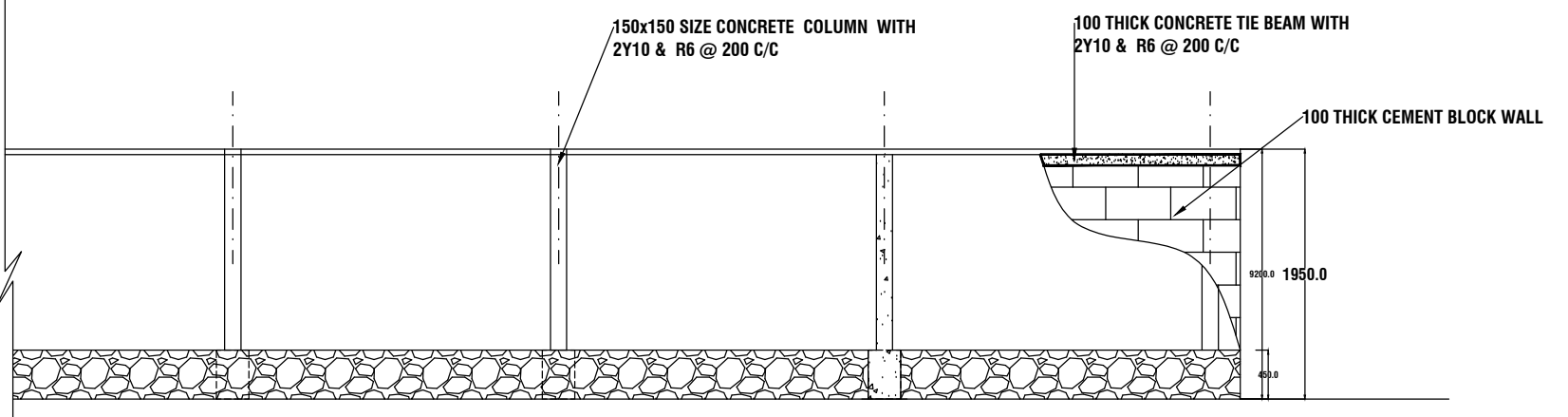



MARADANA ROAD



| REV. | DESCRIPTION | DATE |
|---|-------------|------------------------|
|  CEYLON PETROLEUM CORPORATION | | |
| ENGINEERING DEPARTMENT NO. 609, DR. DANISTER DE SILVA MAWATHA, DEMATAGODA, COLOMBO -09. | | |
| TP. NO. 5661616, 5661818 FAX 5455408 | | |
| PROJECT RE-STRUCTURING OF LANKA FILLING STATION AT MARADANA | | |
| TITLE CONSTRUCTION OF BOUNDARY WALL | | |
| DESIGN & STRUCTURAL ENGINEER R. SIVASHANKAR | | |
| DRAWING NO CEYPET / ENG / 0608-A | | |
| SCALE 1:100 | | DATE 26.09.2021 |
| DRAWN BY PRABATH | | |
| CHECKED BY | | |
| APPROVED BY ENGINEERING & PREMISES MANAGER: | | |